

4" INSULATION:
AK-XPS4™
HI-PERFORMANCE
PANEL CORE
COOLERS R-29
FREEZERS R-32

OUTSIDE STANDARD HEIGHT
 • 7'-7" (Ø1)
 • 8'-7" (Ø2)

ALL WITH LEAD LINES: PENSION VALVE, SQUEEGEE VALVE, THERMOSTAT, FAN BEAVY CONTROL, TIMER, SILE SASS, DRINK FILTER & LOOSE WATER VALVE.

- 4 1.5 HP H1N015H2+LSC430AMC2K (43315 BTUH @ +35°F BOX) WATER COOLED HERMETIC INDOOR UL SYSTEM 208-230/60/3 GPM 5.2
- 2 1.5 HP H1N014L6+LSP09BMC8K (8700 BTUH @ 0°F BOX) WATER COOLED HERMETIC INDOOR UL SYSTEM 208-230/60/3 GPM 2.5
- 1 3HP S1N-0343LC*(2)LSF180BMC8K (19850 BTUH @ 0°F BOX) WATER COOLED SEMI HERMETIC INDOOR/UL SYSTEM 208-230/60/3 GPM 5.1
- 1 4 HP S1N0400L6C-LSP240BMC8K (24360 BTUH @ -43°F BOX) WATER COOLED SEMI-HERMETIC INDOOR/UL SYSTEM 208-230/60/3 GPM 7.3
- 1 3HP H1N030H2+LSC280AMC2K (26845 BTUH @ +35°F BOX) WATER COOLED HERMETIC INDOOR UL SYSTEM 208-230/60/3 GPM 5.5



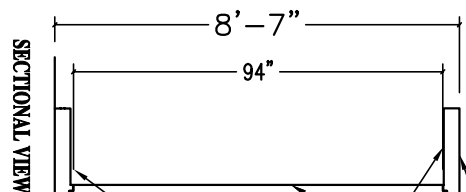
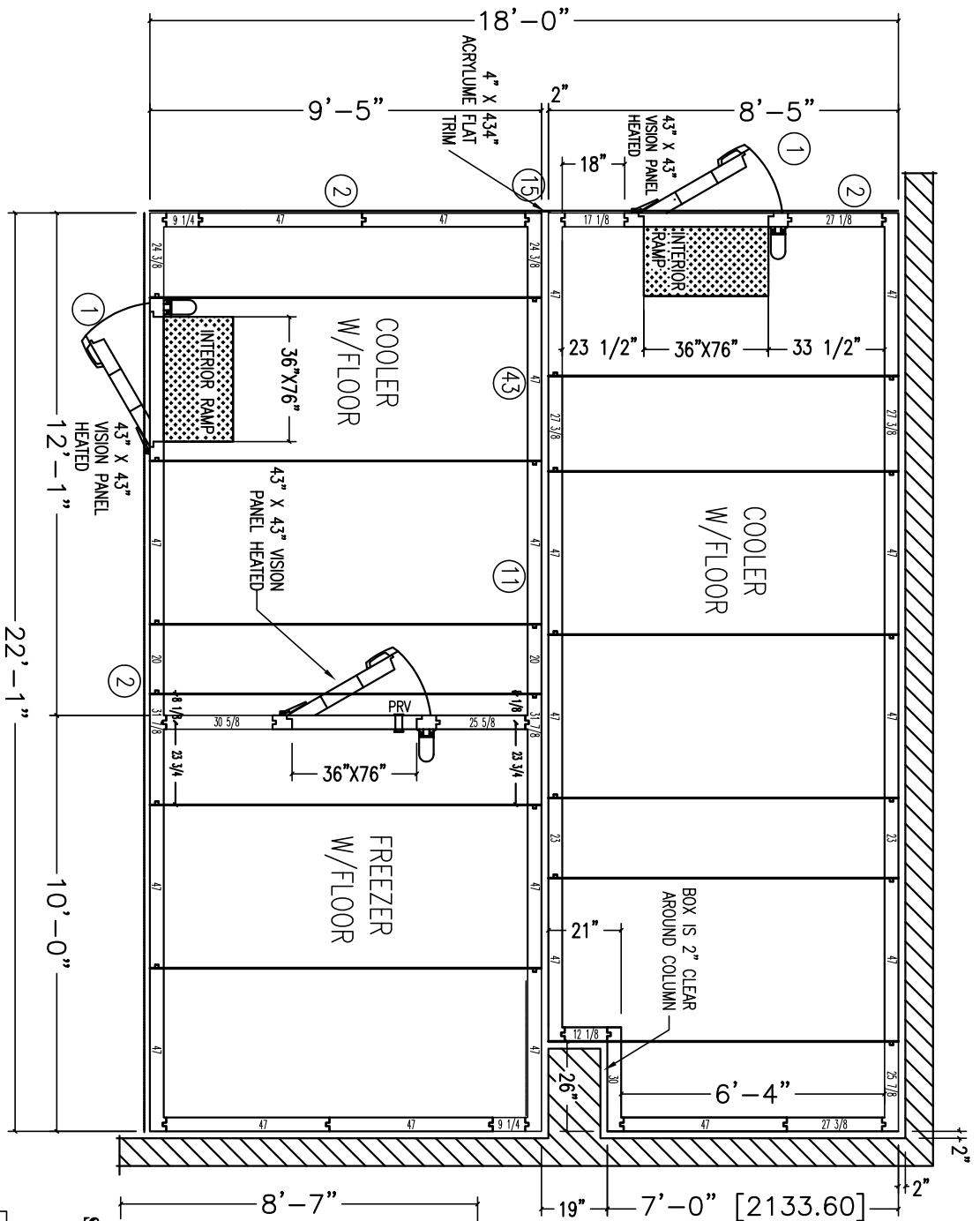
CUSTOM: COOLER (4) / FREEZER (2) COMBINATION

QUOTE#:
PO#:

SCALE: DRAWN BY: DATE: REV:

575 EAST 43th AVENUE, HIALEAH, FLORIDA 33043
 TEL (305)884-8384, TOLL FREE 1(800)627-5665
 FAX (305)884-8330

JOB NUMBER:



VERIFY ALL OUTSIDE DIMENSIONS OF THE WALK-IN IN ORDER TO ALLOW A MINIMUM 2" CLEAR (AIR) BETWEEN WALK-IN AND EXISTING/PROTECTED STRUCTURES

FLOOR: 18 Ga SMOOTH ALUMINUM FOR 600 Lb/SQ.FT UNIFORMLY DISTRIBUTED.
 ACRYLIC COATED GALVALUME INTERIOR & EXTERIOR
 ACRYLIC COATED GALVALUME ON TOP OF CEILING

OUTSIDE STANDARD HEIGHT
 ♦ 7'-7" (91")
 ♦ 8'-7" (103")

4" INSULATION:
AK-XPS4™
H-PERFORMANCE
PANEL CORE
COOLERS R-29
FREEZERS R-32

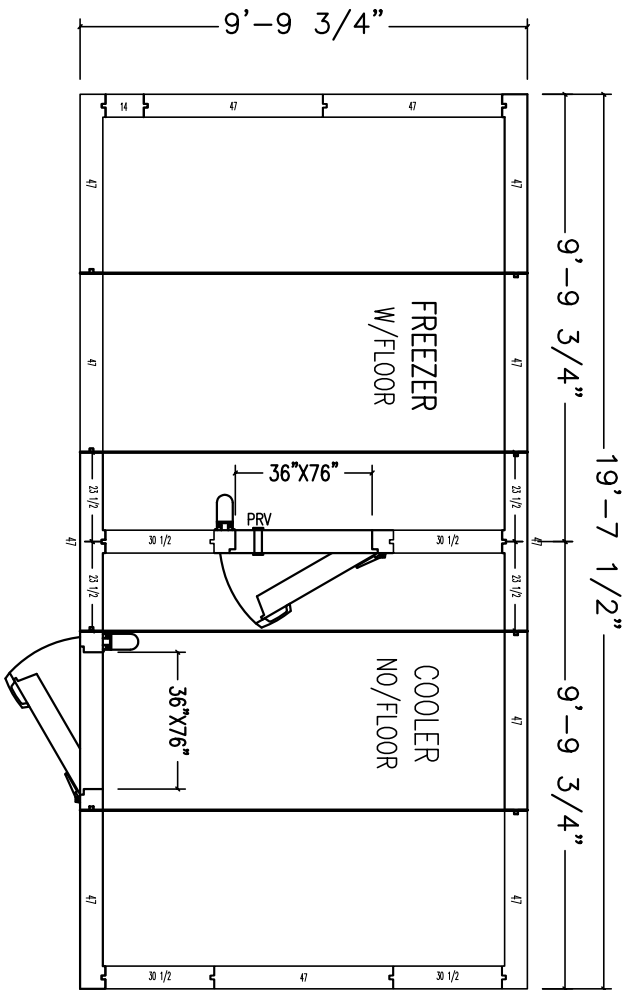


CUSTOM: TRIPLE COMBINATION

QUOTE#:
 PO#:

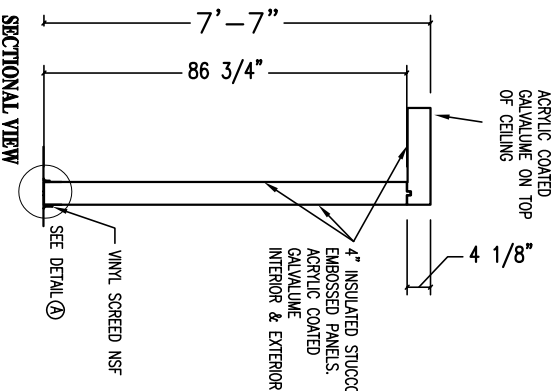
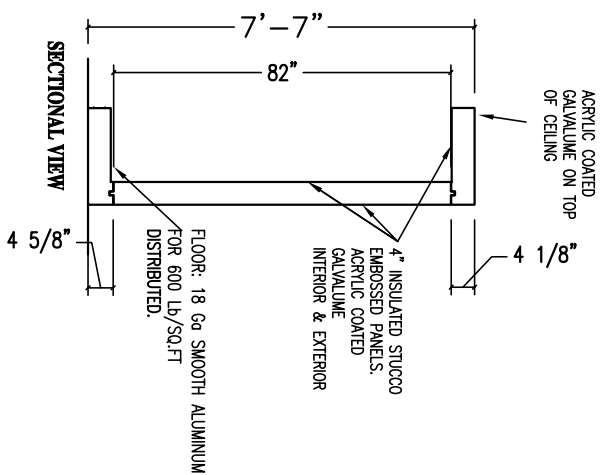
SCALE:	DRAWN BY:	DATE:	REV:
--------	-----------	-------	------

575 EAST 43th AVENUE, HALEAH, FLORIDA 33043 TEL.(305)884-8384.TOLL FREE 1(800)627-5665 FAX(305)884-8330		JOB NUMBER:	
---	--	-------------	--

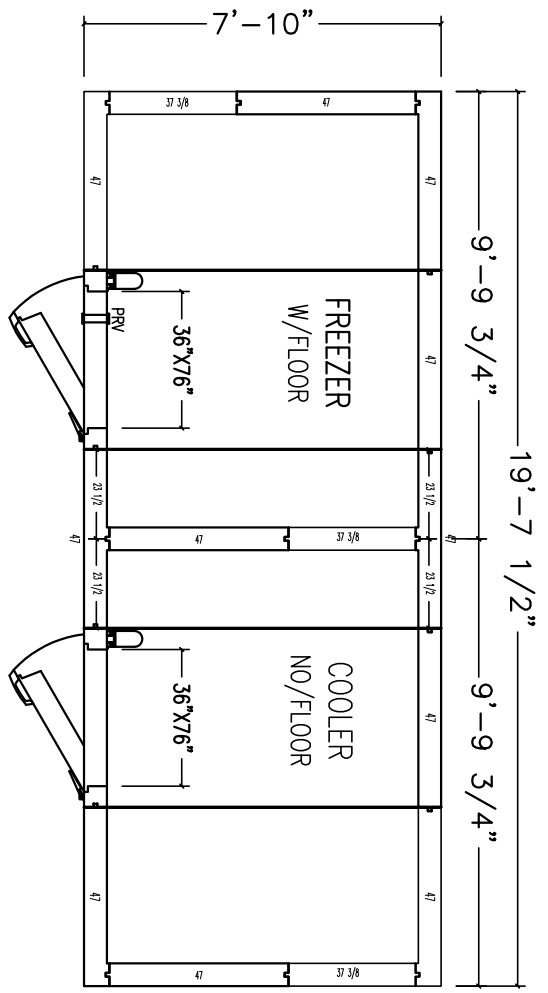


4\"/>

OUTSIDE STANDARD HEIGHT
 ◆ 7'-7\"/>

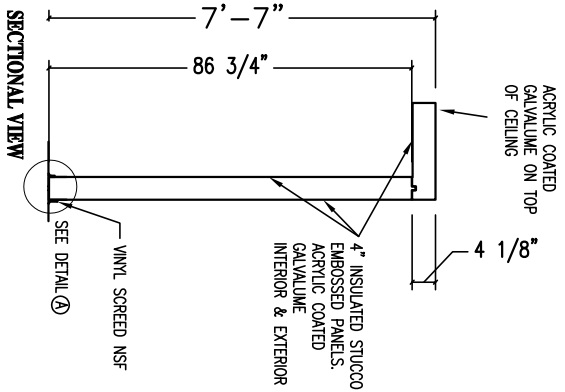
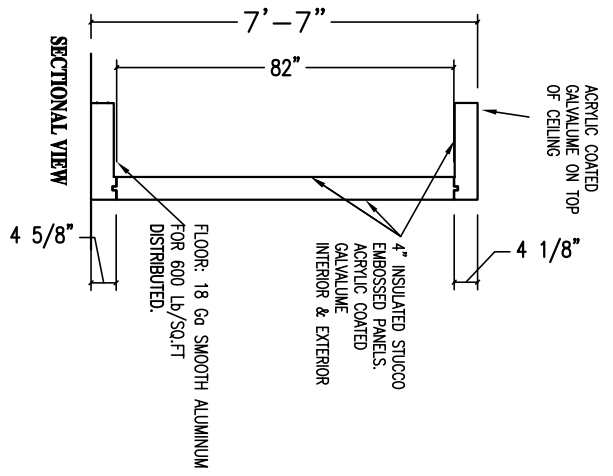


CUSTOMER NAME: FREEZER WITH FLOOR / COOLER (NO FLOOR) . COMBINATION		JOB NAME: FREEZER WITH FLOOR / COOLER (NO FLOOR) . COMBINATION	
SCALE: 3/8" = 1"	DRAWN BY:	DATE:	REV: 0
575 EAST 43th AVENUE, HIALEAH, FLORIDA 33043 FAX (305) 884-8330		JOB NUMBER:	QUOTE#: PO#: P.O. #: FAX#:
PAGE: 10 of 43			

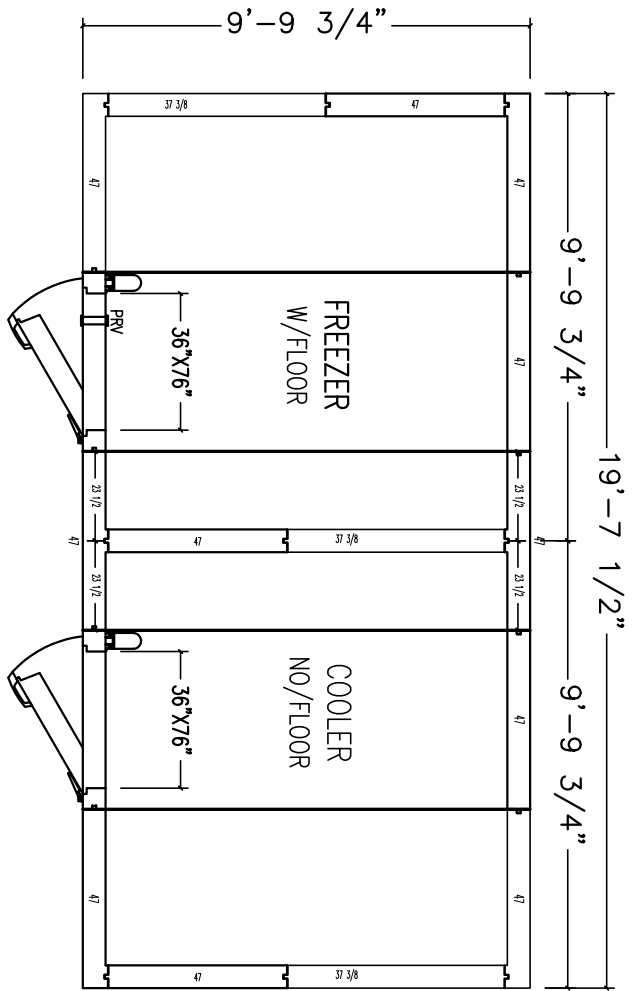


4" INSULATION:
AK-XPS4™
HI-PERFORMANCE
PANEL CORE
COOLERS R-29
FREEZERS R-32

OUTSIDE STANDARD HEIGHT
 ♦ 7'-7" (91")
 ♦ 8'-7" (103")

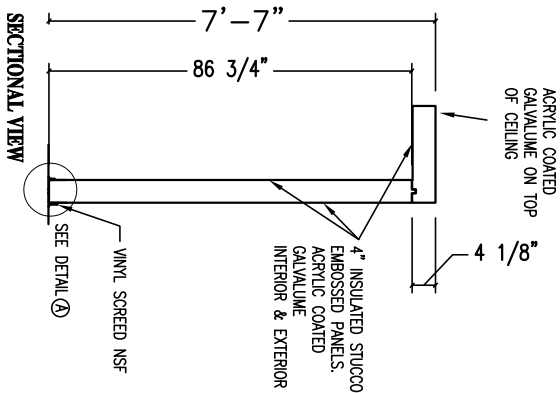
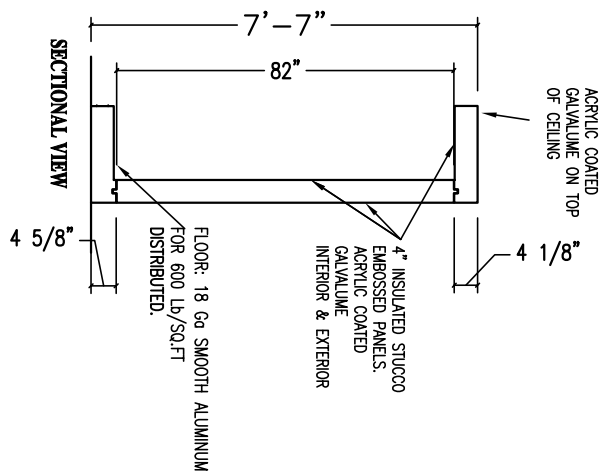


CUSTOMER NAME: FREEZER WITH FLOOR / COOLER (NO FLOOR) . COMBINATION		JOB NAME:	
SCALE: 3/8" = 1"	DRAWN BY:	DATE:	REV: 0
575 EAST 43th AVENUE, HIALEAH, FLORIDA 33043 FAX (305) 884-8330		JOB NUMBER:	QUOTE#: PO#: P.O. #: FAX#:
PAGE: 11 of 43			



4\"/>

OUTSIDE STANDARD HEIGHT
 ♦ 7'-7\"/>



CUSTOMER NAME: FREEZER WITH FLOOR / COOLER (NO FLOOR) . COMBINATION
JOB NAME:

SCALE: 3/8" = 1"

DRAWN BY:

DATE:

REV: 0

JOB NUMBER:

QUOTE#:

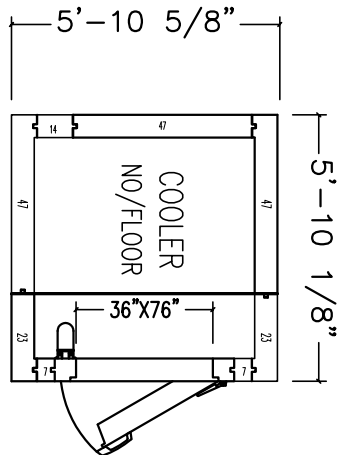
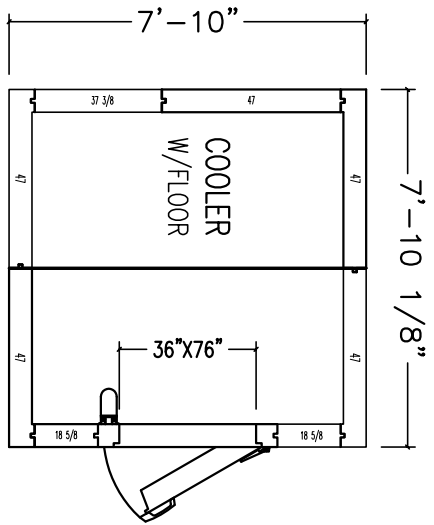
PO#: P.O. #:

FAX#:

PAGE: 12 of 43

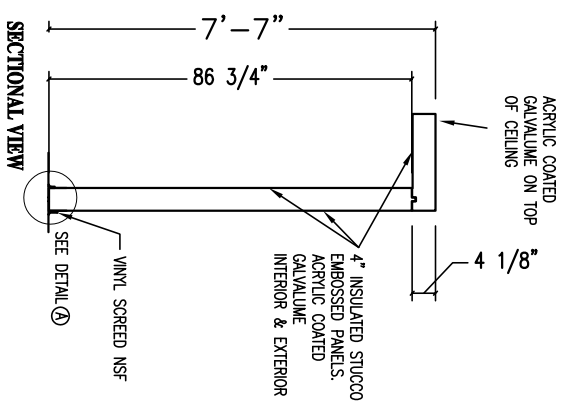
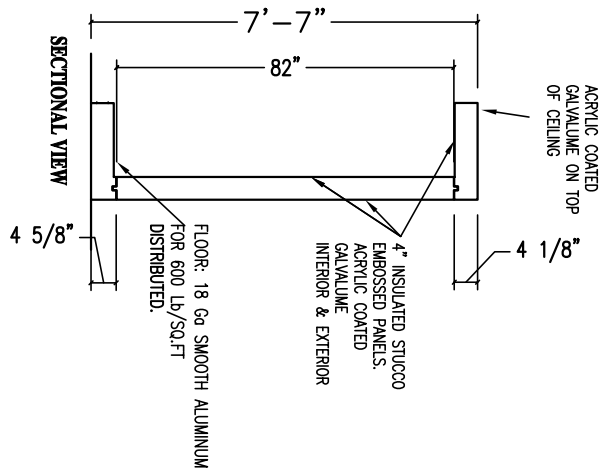


575 EAST 43th AVENUE, HIALEAH, FLORIDA 33043
 FAX (305) 884-8330



4" INSULATION:
AK-XPS4™
HI-PERFORMANCE
PANEL CORE
COOLERS R-29
FREEZERS R-32

OUTSIDE STANDARD HEIGHT
 ♦ 7'-7" (91")
 ♦ 8'-7" (103")



CUSTOMER NAME: SINGLE COMPARTMENT WITH FLOOR		JOB NAME:	
SCALE: 3/8" = 1"	DRAWN BY:	DATE:	REV: 0
575 EAST 43th AVENUE, HIALEAH, FLORIDA 33043 FAX (305) 884-8330		JOB NUMBER:	QUOTE#: PO#: P.O. #: FAX#:
PAGE: 13 of 43			