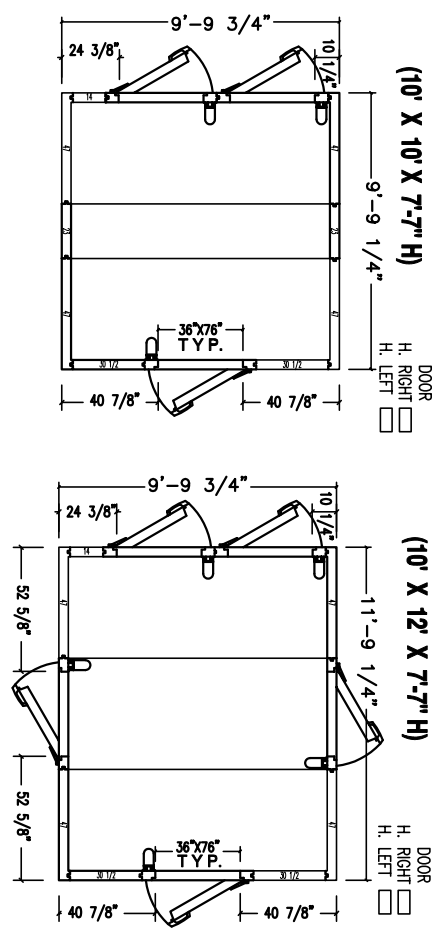
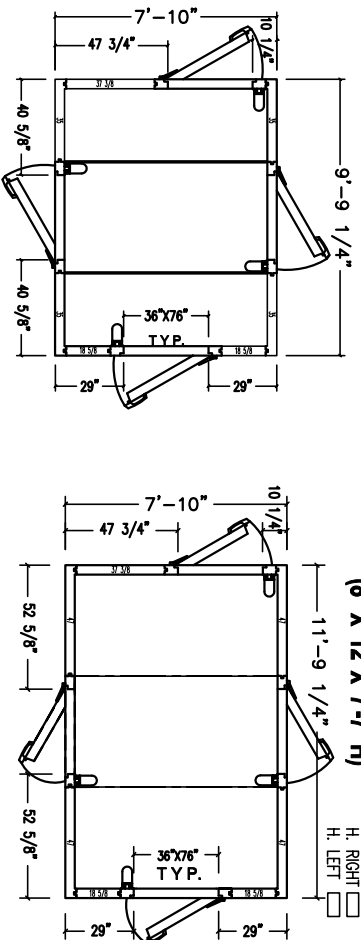
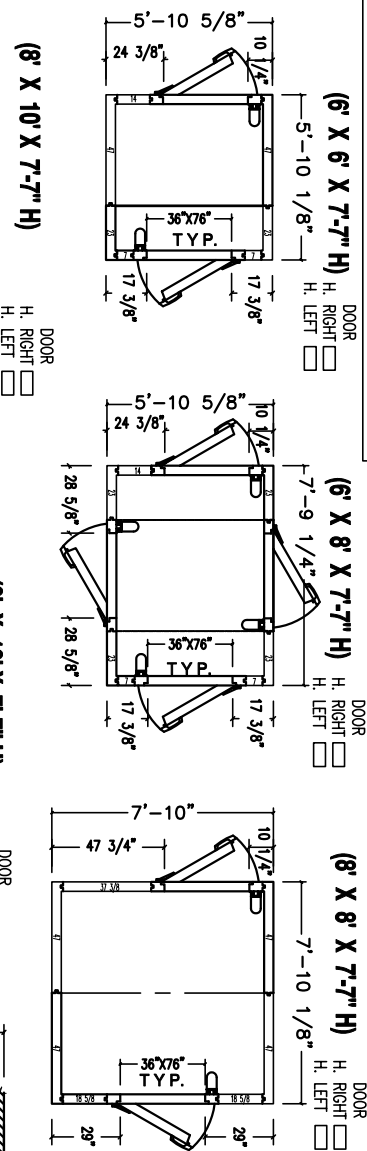


*** DOOR LOCATION INTERCHANGEABLE AS SHOWN**

QUICK SHIP 5 DAYS (DOOR CENTERED)



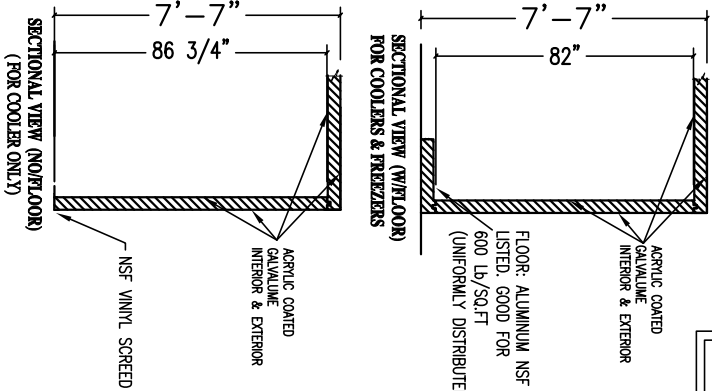
4" INSULATION:
AK-XPS4™
HI-PERFORMANCE
PANEL CORE
COOLERS R-29
FREEZERS R-32

PLEASE SPECIFY IF:

COOLER SIZE: _____ (OR) WITHOUT FLOOR:
 WITH FLOOR: _____ (OR) WITHOUT FLOOR:
 DOOR HINGE: RIGHT: _____ (OR) LEFT: _____
 DOOR HINGE: RIGHT: _____ (OR) LEFT: _____
 FREEZER SIZE: _____
 WITH FLOOR: _____ (OR) WITHOUT FLOOR:
 DOOR HINGE: RIGHT: _____ (OR) LEFT: _____

REFRIGERATION:

- REMOTE OUTDOOR PRE-ASSEMBLE CONDENSIGN UNIT AND EVAPORATOR COIL.
- REMOTE INDOOR PRE-ASSEMBLE CONDENSIGN UNIT AND EVAPORATOR COIL.
- REMOTE INDOOR LOOSE COMPONENTS
- REMOTE OUTDOOR LOOSE COMPONENTS



QUICK SHIP BOXES			
SCALE: NTS	DRAWN BY:	DATE:	REV:
575 EAST 10th ABERDEEN, ALABAMA 32010 TEL: (205) 964-4341 FAX: (205) 962-2885 FAX: (205) 964-4310			
PAGE: 2		of 43	